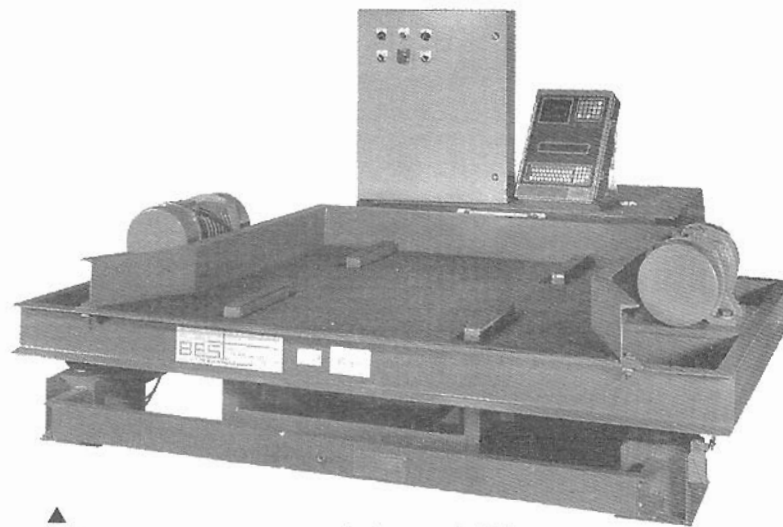
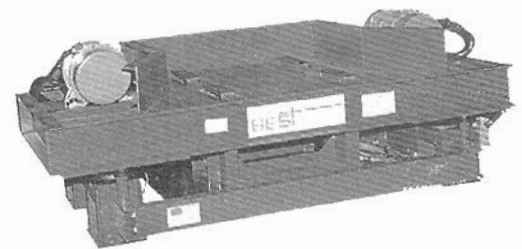


MODEL FD-OS

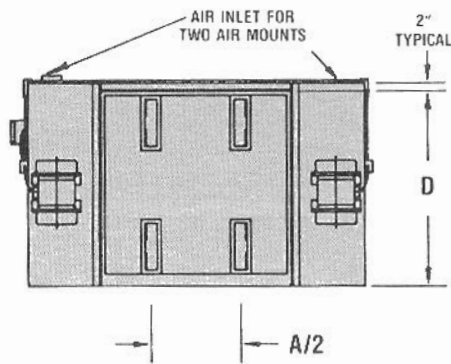
FLAT DECK OVER SCALE VIBRATORY TABLE



▲ MODEL FD-OS-4848-2860-(2) flat deck over-scale table with digital weight indicator and control panel. Designed for 2,000 lb. bulk boxes.



MODEL FD-OS-3030-1980-6-(2) 30" x 30" deck, over-scale design for drums and small bulk box containers. ▶



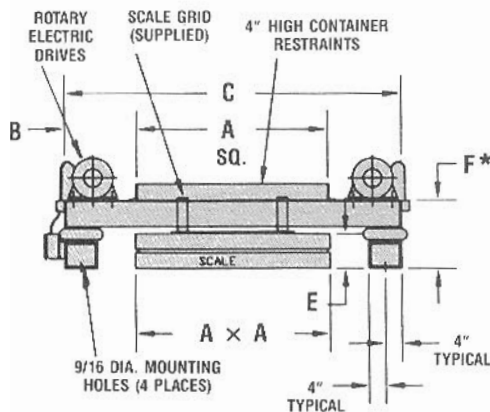
BEST'S over-scale vibrating tables are designed to settle and compact drums and bulk boxes while weighing final net contents.

The container is placed in the system with the vibratory deck in the lowered position. The container is tared (scale zeroed) and then the filling operation is started. Upon reaching the first set point weight of the scale's batch controller, usually 50% of final weight, the air mounts are energized lifting the container free of the scale. Once in the raised position, the safety limit switch allows the vibrators to start and run on a timed vibration cycle. After vibrating for a few seconds, the vibration is stopped and the container is again lowered on to

the scale deck. Filling has continued during the initial vibration cycle. Once the second set point is reached, usually 95% to 98% of the final net weight, the dribble sequence is energized. This allows the fill device to dribble product and trim to the final exact net weight.

High accuracies are obtainable with high speed filling rates. Special dust hoods and drum seals can be supplied when required.

Model FD-OS is for loading by fork truck, model GD-OS is loaded by container travel in a gravity or powered-roller conveyor system. Motor vibrators can be either top deck or under deck and out-board mounted free of scale area.



MODEL NUMBER	NOMINAL LOAD CAPACITY (lbs.)	A	B	C	D	E	* F LOWERED	* F RAISED	VIBRATOR H.P. (each)
FD-OS-3030-1100-6-(2)	1,000	30	18	66	30	8-1/2	16-3/4	18-3/4	0.5 H.P.
-1980-6-(2)	1,500	30	18	66	30	8-1/2	16-3/4	18-3/4	0.8 H.P.
FD-OS-4848-2860-6-(2)	2,500	48	18	84	48	8-1/2	16-3/4	18-3/4	1.1 H.P.
-5280-6-(2)	5,000	48	18	84	48	8-1/2	16-3/4	18-3/4	2.0 H.P.

NOTES: All dimensions in inches • Unit to be mild steel construction with standard welds. • All external surfaces to be painted. • Table supplied with dual motor starter in a NEMA 12 enclosure. • Dynamic brake optional. • Air powered vibrators optional.

* Standard height to top of deck. Consult factory for special height requirements, or for lower profiles. Height will vary with manufacturer and model scale selected for system.